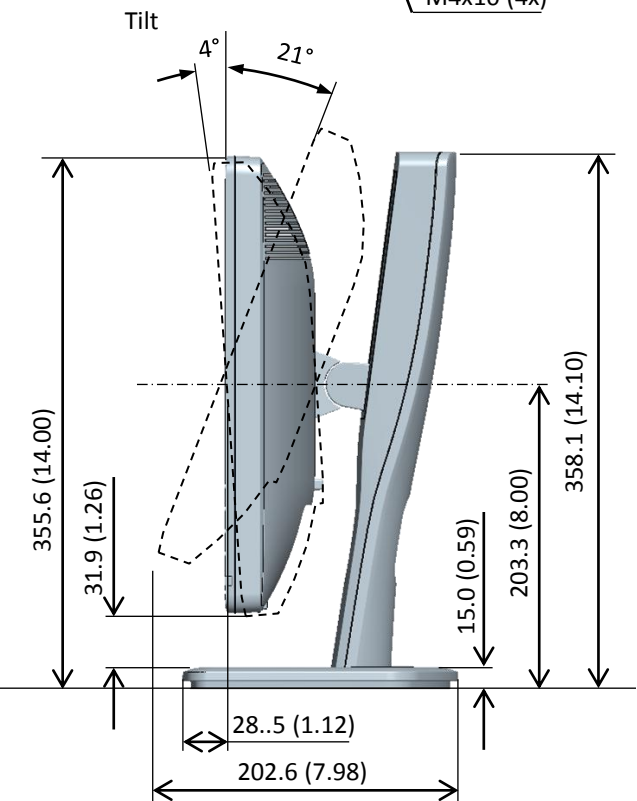
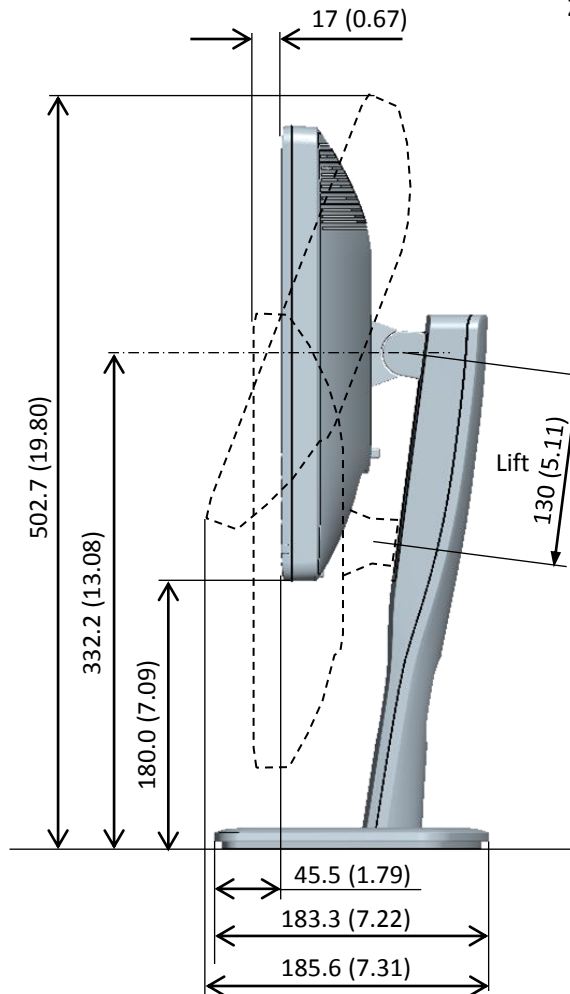
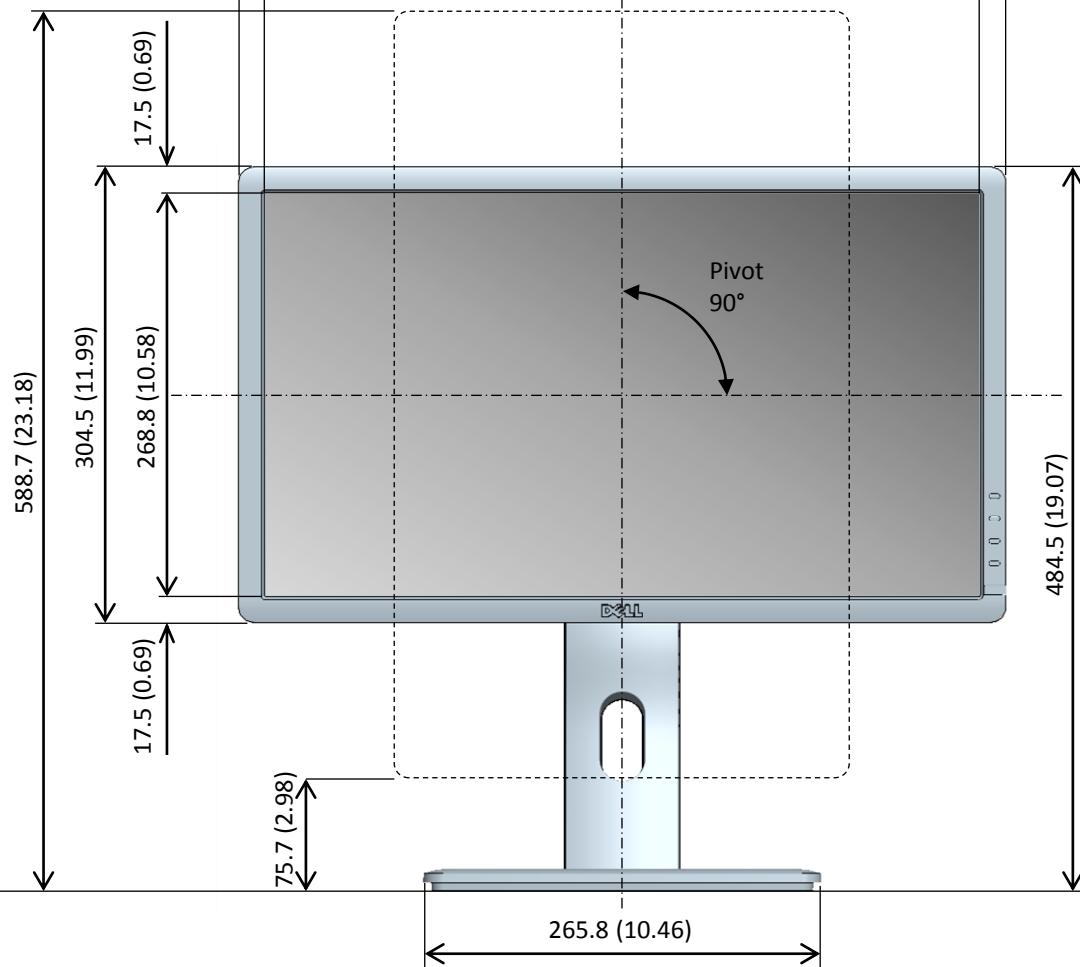
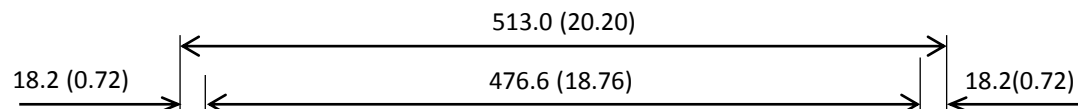
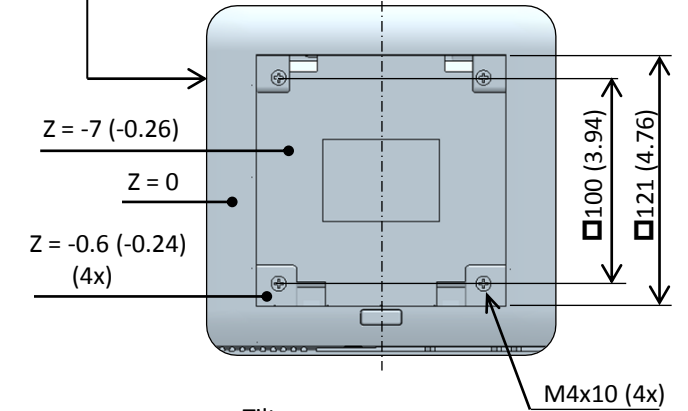
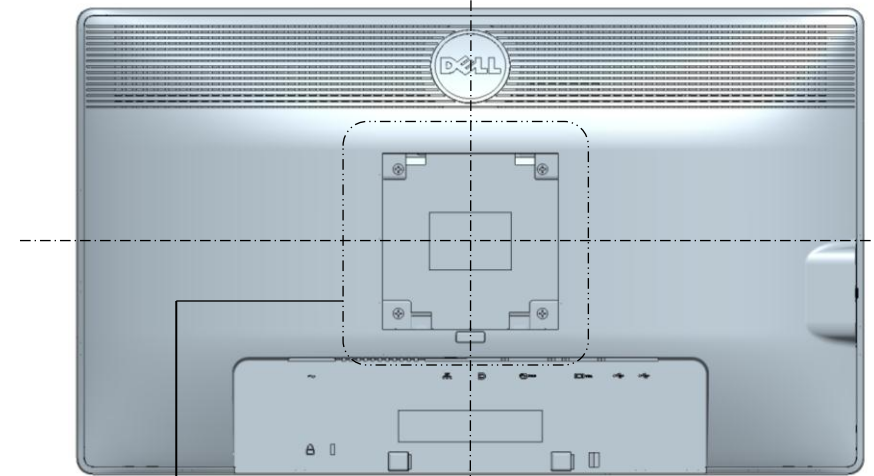
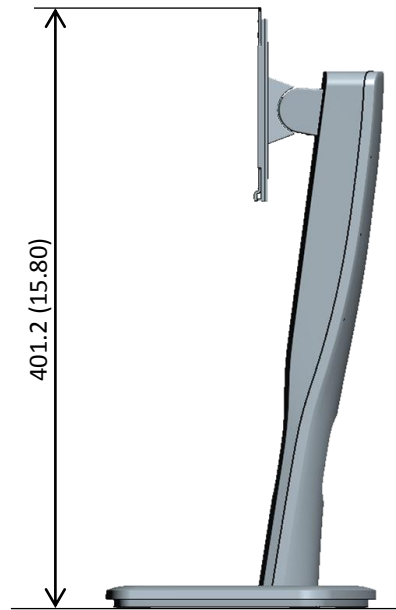
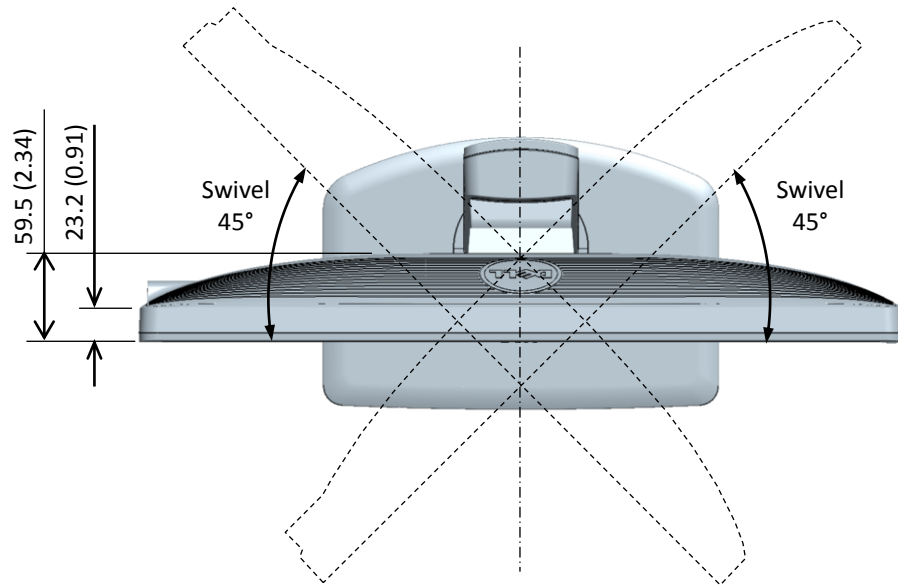


# P2212H Outline Dimension

Unit : mm (inch)  
 Dimension : Nominal  
 Drawing : Not to scale



# P2312H Outline Dimension

Unit : mm (inch)  
 Dimension : Nominal  
 Drawing : Not to scale

